

# INSTRUCTION MANUAL

## VJ-680 Hydraulic Vehicle Positioning Jacks 680kg



## GENERAL SAFETY WARNINGS AND PRECAUTIONS

1. **KEEP WORK AREA CLEAN AND DRY.** Cluttered, damp or wet work areas invite injuries.
2. **USE EYE PROTECTION.** Wear ANSI approved safety impact eye glasses when using this product.
3. **DO NOT ALLOW CHILDREN IN THE WORK AREA.** Keep away from children. Do not allow children to play with this product.
4. **CHECK FOR DAMAGED PARTS.** Before using this product, carefully check that it will operate properly and perform its intended function. Check for damaged parts and any other conditions that may affect the operation of this product. Replace or repair damaged or worn parts immediately.
5. **REPLACEMENT PARTS AND ACCESSORIES.** When servicing, use only identical replacement parts.
6. **MAINTAIN THIS PRODUCT WITH CARE.** Keep this product clean and dry for better performance.
7. **USE THE RIGHT PRODUCT FOR THE RIGHT JOB.** There are certain applications for which this product was designed. Do not use small equipment, tools or attachments to do the work of larger industrial equipment, tools or attachments. Do not use this product for a purpose for which it was not intended.
8. Vehicle's engine must be turned off and parking brake must be set before jacking up the vehicle. Keep spectators clear of the area. Never allow people in the vehicle while vehicle is being lifted or moved.
9. Never work underneath the vehicle while vehicle is resting on Position Jacks.

**WARNING:** The warnings, cautions, and instructions discussed in this instruction manual cannot cover all possible conditions and situations that may occur. It must be understood by the operator that common sense and caution are factors which cannot be built into this product, but must be supplied by the operator.

## SPECIFICATIONS

Item	Description
Capacity Of Each Hydraulic Position Jack	680 kgs. Weight capacity Per Position Jack
Construction	All Steel Construction, Aluminum Rollers, Rubber O-rings
Castor Dimensions	100mm Diameter x 34mm Wide x 120mm Total Height
Roller Dimensions	270mm Long x 70mm Diameter x 105mm Total Height
Distance Between Rollers	300 Minimum to 620 Maximum
Ram Travel	280mm
Ram Diameter	18mm
Weight Per Position Jack	18.5 kgs

## APPLICATION

Use four of the Position Jack to efficiently maneuver a parked vehicle in tight spaces. Designed to fit most cars and lightweight trucks. A vehicle resting on four of the Vehicle Position Jack can be pushed forward, backward and even sideways.

## Assembly

**NOTE:** Turn to the Parts list and Assembly diagram on page 7 for help identifying the parts mentioned below.

1. There are two Rod Assemblies (3) for each Position Jack. One needs to be attached to the Outer Body & Axle Assembly (13), the other one should be attached to the Inner Body & Axle Assembly (8).
2. Insert Roller Raceway (5) into Roller (6), then press the Rod Assembly (3) into the Outer Body & Axle Assembly (13). Use the Washer (10), the Lock Washer (11) and the Bolt (4) to secure it in place tightly. Attach the other Rod Assembly (3) to the Inner Body & Axle Assembly using the same hardware and process.

**WARNING:** Make sure all the hardware is tight before you use the Position Jack. Also test Each Position Jack before using it.

## OPERATION

**WARNING:** Before operating the Position Jack read the bleeding instructions on page 3.

**WARNING:** Check the Oil level Before operating the Position Jack instructions on Page 3.

1. First expand the space between the Rollers (6). Turn the Release Valve (A17) counterclockwise then spread the Rollers (6) apart from each other. After Pulling the Rollers (6) apart turn the Release Valve (A17) all the way clockwise. Next slide the Position Jack around the tire (as shown in Figure 1, 2).



Figure 1

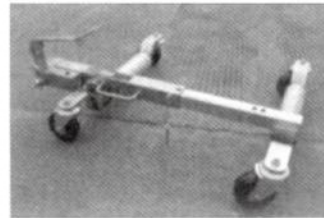


Figure 2

2. To raise the tire, put your foot on top of the Foot Pedal (17) and press it up and down. The Rollers (6) will move together and lift the tire off the ground. After raising the tire, insert the Lock Pin (12) in the hole in the Outer Body & Axle Assembly (13) (as shown in Figure 3, 4).

**NOTE:** The Rollers (6) will not move together when you Press up and down on the Foot Pedal (17) unless the Release Valve is turned completely to the right (see Figure 2).



Figure 3

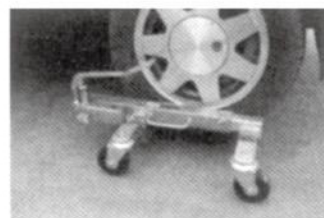


Figure 4



3. To lower the tire, turn the Release valve (A17) about 1/2 revolution counter clockwise. The weight of the tire will spread the Roller (6) apart allowing you to pull the Wheel Dolly away from the tire.

**WARNING:** Do not turn the Release Valve completely counter clockwise. Doing so will remove it allowing oil to spill out.

### **BLEEDING INSTRUCTIONS**

Purging the air out from the system when using for the first time or have not used it for longtime, and found it worked in low efficiency.

1. Turn the Release Valve 1-1/2 revolution counterclockwise.
2. Press up and down on Foot Pedal more than 10 times quickly which can purge the air from the system.
3. Top off with a quality hydraulic fluid if the hydraulic system has no enough oil to operate the unit, Replace the Oil Fill Plug.

### **LOCKING DOWN THE FOOT PEDAL**

When not in use, locking the pedal tightly. Press the Foot pedal all the way down, then swing the Pedal Lock Assembly (14) up and into the hole on the bottom of the foot pedal.

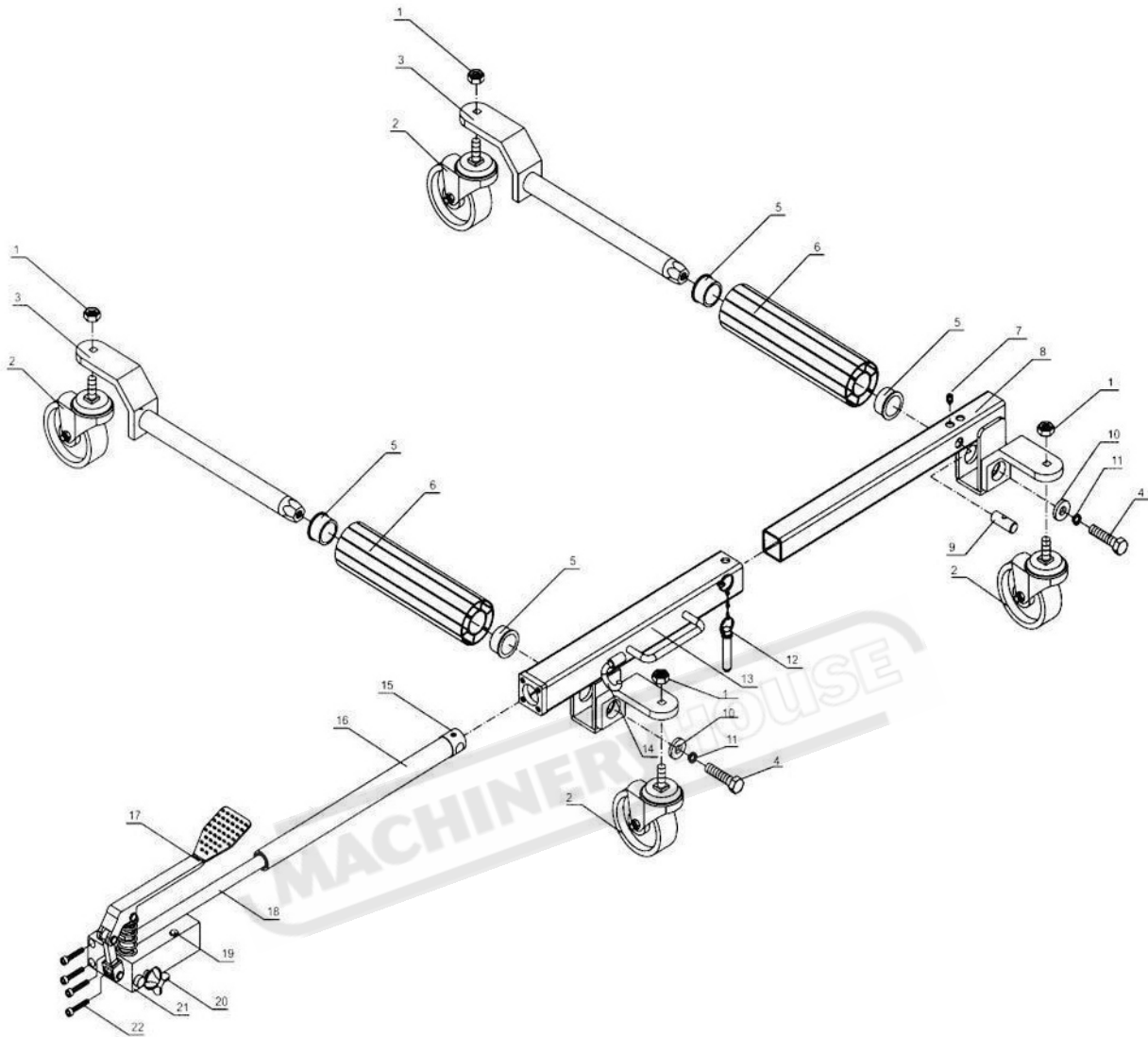
### **INSPECTION, MAINTENANCE, AND CLEANING**

1. Before each use, inspect the general condition of the Position Jack. Check for cracking, bending, Wheel damage, and any other condition that may affect safe operation. If a problem occurs with the Position Jack immediately discontinue its use; never use a damaged Position Jack.
2. To clean, wipe with a damp cloth. You may use a mild detergent.

### **CHECKING OIL LEVEL**

- # Expand wheel support Rollers all the way out.
- # Remove Black Rubber stopper (Found on Oil Reservoir under foot pedal)
- # Check oil level . Should be approximately 10mm under top of Reservoir
- # Top up with a Quality Hydraulic Fluid as needed
- # Refit Black Rubber Stoper

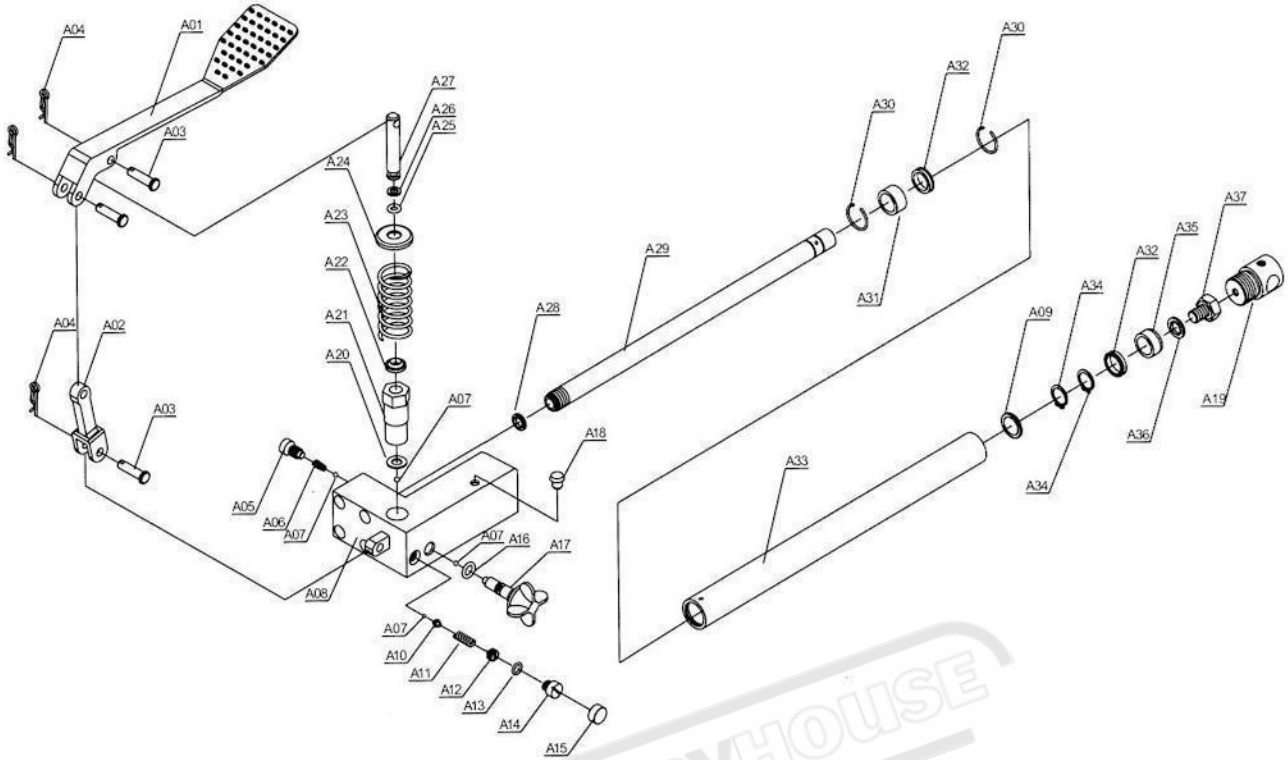
## PARTS LIST AND ASSEMBLY DIAGRAM



NO.	DESCRIPTION	Q'TY	NO.	DESCRIPTION	Q'TY
1	Lock nut	4	12	Lock pin	1
2	Caster	4	13	Outer body axle ass'y	1
3	Rod ass'y	2	14	Pedal lock ass'y	1
4	Bolt	2	15	Connector rod	1
5	roller race way(nylon)	4	16	Cylinder	1
6	Roller	2	17	Pedal	1
7	Screw	1	18	Ram	1
8	Inner body axle ass'y	1	19	Oil plug	1
9	Pin	1	20	Release valve	1
10	Washer	2	21	Pump	1
11	Lock washer	2	22	Hex bolt	4

**NOTE:** Some parts are listed and shown for illustration purposes only and are not available individually as replacement parts.

## HYDRAULIC JACK PARTS LIST AND ASSEMBLY BIAGRAM



NO.	DESCRIPTION	Q'TY	NO.	DESCRIPTION	Q'TY
A01	Pedal	1	A20	Seal ring	1
A02	Connector	1	A21	Pump cylinder	1
A03	Pin	3	A22	Dust cover	1
A04	R-pin	3	A23	Spring	1
A05	Hex screw	1	A24	Spring cover	1
A06	SPring	1	A25	O-ring	1
A07	Ball	4	A26	Retaining ring	1
A08	Pump body	1	A27	Piston	1
A09	Seal ring	1	A28	Seal ring	1
A10	Base	1	A29	Cylinder	1
A11	Spring	1	A30	Circlip	2
A12	Screw	1	A31	Bushing	1
A13	O-ring	1	A32	Seal ring	2
A14	Screw	1	A33	Pump ass'y	1
A15	Cover	1	A34	Circlip	2
A16	O-ring	1	A35	Retaining ring	1
A17	Release valve	1	A36	Seal ring	1
A18	Oil plug	1	A37	Screw	1
A19	Connecting base	1			